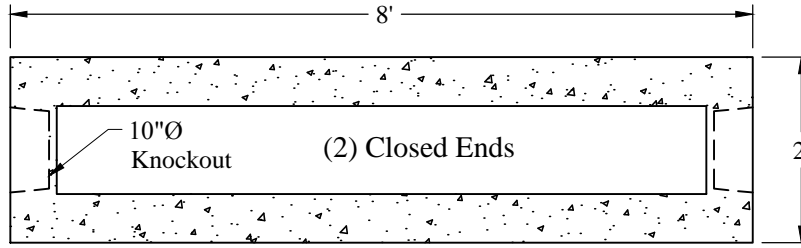


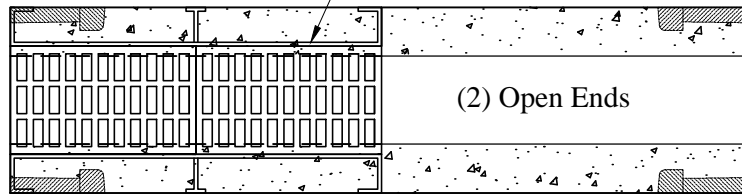
1-800-639-2199

Fax (603) 224-2927

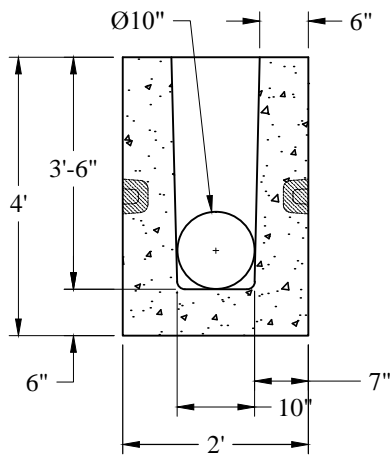
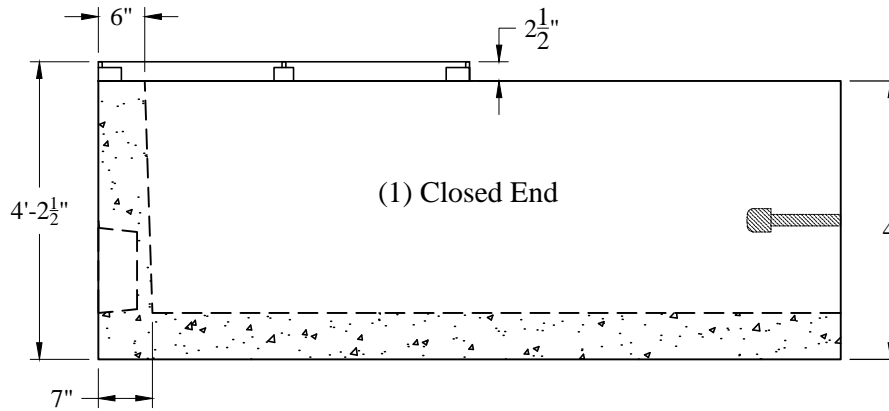
Trench Drains/4Ft Deep HD 8ft Trench Drain (v)



Partial Frame & Grate Shown

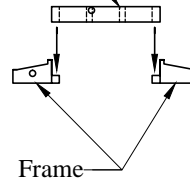


Bolt Pocket Connect Sections Together With 2 Threaded Rod Assembly Part# FLD-INSTKIT #4026 at Each Joint



End View

Cast Iron Grate



Style	P/N:
Open Ends	TD4D-8O
Closed Ends	TD4D-8C
Open End/Closed End	TD4D-8OC

Est Weight: 740 Lbs/LF

General Notes

1. Reinforcing Steel ASTM A-615 Grade 60
2. Concrete: $f_c = 5,000$ psi @ 28 Days Min.
3. Design Loading: AASHTO-HS20-44
4. Available in 4' and 8' Sections

Phoenix
Precast
Products

4' Deep
Heavy Duty
Trench Drain

Phoenix Precast Products

Phoenix Precast Products